

RM Series Modular Online UPS 20-200kVA (380V/400V/415V)

RM series is modular online UPS for sensitive equipments. The single cabinet power rating covers from 20kVA to 200kVA. With the latest IGBT three-level and full DSP control technology, the RM series delivers the best of combination of reliability, hot-swappable and flexibility.



Features

- Modular design**
Up to 20 power modules in parallel online hot-swappable N+X redundancy
- Independent charger**
Independent charger for each module and intelligently control the whole charging process, prolong the life time of the battery
- Battery cold start**
UPS can be powered on from the battery without utility
- Easy connection access**
Top and bottom cable entry connection are supported, more convenient for site installation
- Modular design with transformer**
Modular UPS up to 60kVA with in-built isolation transformer, meeting different requirement for customers

- High power density**
200kVA with footprints of about 0.5m², saving valuable data center space
- Integrated IGBT design**
Integrated IGBT in one module, less failure points with higher performance and reliability
- Friendly interface**
Touch LCD display with abundant information
- Independent air channel**
Cooling air runs in isolated channel, keeping PCB free of dust



Specification

MODEL	RM200/20	RM120/20	RM060/20
System Capacity	200kVA	120kVA	60kVA
Power Module Capacity	20kVA/18kW	Optional	
Dual Input Phase	3 Phase+Neutral+Ground, 380V/400V/415V(line-line)		
Input Voltage Range	228V~304Vac (line-line),load decreases linearly according to the min phase voltage		
Rate Frequency	50/60Hz		
Input Frequency Range	40Hz ~ 70Hz		
Input PF	>0.99		
Input THDI	<3% (100% Linear load)		
Rate Voltage	380/400/415Vac (line-line)		
Rate Frequency	50/60Hz		
Input Voltage Range	Settable, -40% ~ +25%		
Bypass Frequency Range	Settable, ±1Hz, ±3Hz, ±5Hz		
Bypass Overload	125% long term operation; 130% for 1 hour ;150% for 6 mins; 1000% for 100ms		
Rate Voltage	380/400/415Vac (line-line)		
Voltage Regulation	1% for balance load; 1.5% for unbalance load		
Rate Frequency	50/60Hz		
Frequency Precision	0.1%		
Output PF	0.9		
Output THDU	<1% , Linear load; <5.5%, Non-linear load		
Crest Factor	3:1		
Inverter Overload	110% for 1 hour; 125% for 10 mins ;150% for 1 min; >150% for 200 ms		
Voltage	±240Vdc		
Battery Number	40pcs (Settable: even number from 32 to 44)		
Voltage Precision	±1%		
Charge Power	up to 20% * Output active power		
Battery Cold Start	Standard		
Efficiency	AC Mode	95.0%	
	ECO Mode	99.0%	
	Battery Mode	95.0%	
Display	5.7" touch screen LCD + LED + keyboard		
IP Class	IP 20		
Interface	RS232,RS485, Programmable Dry Contact		
Option	SNMP Card, Parallel kit, SPD, LBS, Dust filter		
Temperature	Operation: 0 ~ 40 °C Storage: -40 ~ 70 °C		
Relative Humidity	0 ~ 95% Non-condensing		
Altitude	<1000m. Within 1000m to 2000m, 1% power derating for every 100m rise		
Noise (1 meter)	55dB @ 50% load		
Applicable Standards	Safety: IEC/EN 62040-1 EMC: IEC/EN 62040-2 Performance: IEC/EN 62040-3		
Physical	Weight (kg)	Cabinet 180	Power module 150
	Dimension W*D*H(mm)	Cabinet 600*900*2000	Power module 600*900*1600
			440*590*134

RM Series In-built Battery Modular Online UPS

20-60kVA (380V/400V/415V)

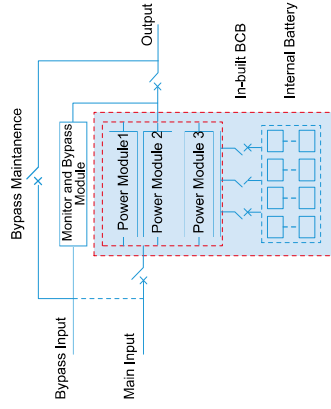
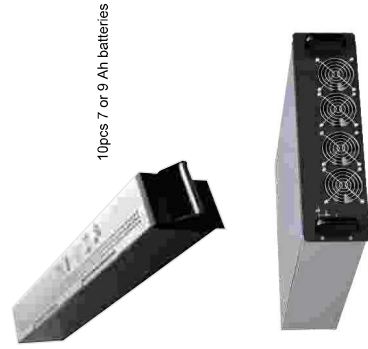
RM060/20B series are modular online UPS with hot-swappable battery. The single cabinet power rating covers from 20kVA to 60kVA which delivers the best of combination of reliability, hot-swappable and flexibility.

With intelligent battery protection and management technology, RM060/20B realises a compact total power solution which is easy for installation, maintenance and power expansion.



Features

- Modular design with swappable battery package
- Monitor system for battery
- Integrated IGBT module with improved performance and reduced size
- Easy for installation and maintenance
- Easy for power expansion and backup time expansion
- Intelligent protection technology for safe and reliable hot swappable battery package of the system
- Smart charging management system, intelligently control the whole process of the charging and discharging, effectively improving the life time of the battery
- Battery cold start
- Friendly human machine interface with touch screen



Specification

MODEL	RM060/20B
System Capacity	60kVA
Power Module Capacity	20kVA/18kW
Dual Input Phase	Optional
Input Voltage Range	3 Phase+Neutral+Ground, 380V/400V/415V (line-line) 228V~304Vac (line-line), load decreases linearly according to the min phase voltage
Rate Frequency	50/60Hz
Input Frequency Range	40Hz ~ 70Hz
Input PF	>0.99
Input THDI	<3% (100% Linear load)
Rate Voltage	380/400/415Vac (line-line)
Rate Frequency	50/60Hz
Input Voltage Range	Settable, -40% ~ +25%
Bypass Frequency Range	Settable, ±1Hz, ±3Hz, ±5Hz
Bypass Overload	125% long term operation; 130% for 1 hour; 150% for 6 mins; 1000% for 100ms
Rate Voltage	380/400/415Vac (line-line)
Voltage Regulation	1% for balance load; 1.5% for unbalance load
Rate Frequency	50/60Hz
Frequency Precision	0.1%
Output PF	0.9
Output THDu	<1% , Linear load; <5.5%, Non-linear load
Crest Factor	3:1
Inverter Overload	110% for 1 hour; 125% for 10 mins; 150% for 1 min; >150% for 200 ms
Voltage	±240Vdc
Battery Number	40pcs (Settable: even number from 32 to 44)
Voltage Precision	±1%
Charge Power	up to 20% * Output active power
Battery Cold Start	Standard
Efficiency	AC Mode 95.0% ECO Mode 99.0%
Display	95.0%
IP Class	5.7" touch screen LCD + LED + keyboard IP 20
Interface	RS232,RS485, Programmable Dry Contact
Option	SNMP Card, Parallel kit, SPD, LBS, Dust filter
Temperature	Operation: 0 ~ 40 °C Storage: -40 ~ 70 °C
Relative Humidity	0 ~ 95% Non-condensing
Altitude	<1000m. Within 1000m to 2000m, 1% power derating for every 100m rise
Noise (1 meter)	55dB @ 50% load
Applicable Standards	Safety: IEC/EN 62040-1 EMC: IEC/EN 62040-2 Performance: IEC/EN 62040-3
Weight (kg)	Cabinet: 205kg Power module: 22kg Battery package: 10kg (without battery)
Physical	Dimension W*D*H(mm)
	Cabinet
	Power module Battery package